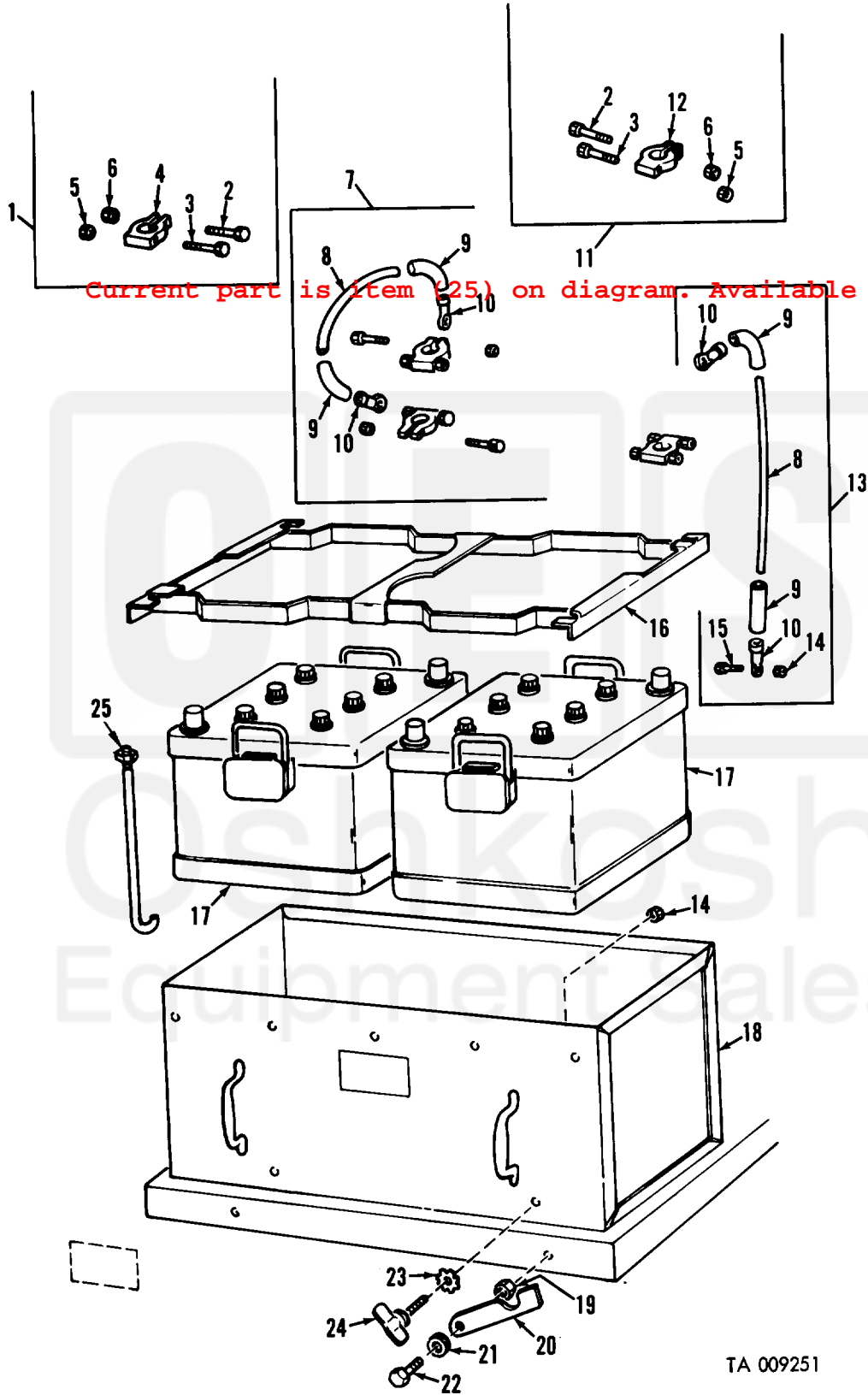


| (1) SMR Code | (2) Federal Stock Number | (3) Description | (4) Unit | (5) Qty | (6) 15-day organizational | (7) Maintenance allowance | (a) Figure | (b) Item No. |
|--------------------------------------|-----------------------------------|--|-------------|------------|---------------------------------|---------------------------------|---------------|--------------------|
| 0612-BATTERIES, STORAGE (WET OR DRY) | | | | | | | | |
| -CONTINUED | | | | | | | | |
| PAOZZ | 5940-113-8191 | TERMINAL LUG:WIRE MS25036-127 (96906) | | EA | 6 | * * * * | 84 | 10 |
| PAOZZ | 5940-549-6581 | TERMINAL LUG, POSITIVE: MS75004-1 (96906) | A | EA | 2 | * * * * | 84 | 11 |
| XAOZZ | | TERMINAL LUG, POSITIVE: 583708 (21450) | | | 2 | | 84 | 12 |
| PAOZZ | 6140-776-2737 | LEAD, STORAGE BATTERY: POSITIVE 7762737 (19207) | A | EA | 1 | * * * * | 84 | 13 |
| PAOZZ | 5310-950-0039 | NUT, SELF-LOCKING: BATTERY LEAD GROUND(1) AND BOX THUMB SCREW (2) MS21044N6 (96906) | | EA | 3 | * * * * | 84 | 14 |
| PAOZZ | 5305-042-5604 | BOLT, ASSEMBLED WASHER: POSITIVE BATTERY LEAD TO GROUND 425604 (21450) | | EA | 1 | * * * * | 84 | 15 |
| PAOZZ | 2590-040-2187 | RETAINER, BATTERY: MS53046-3 (96906) | A | EA | 1 | * * * * | 84 | 16 |
| PAOZA | 6140-057-2554 | BATTERY, STORAGE: MS35000-3 (96906) | A | EA | 2 | * * * * | 84 | 17 |
| PAOZZ | 2590-753-9504 | BOX, BATTERY: 7539504 (19207) | A | EA | 1 | * * * * | 84 | 18 |
| PAOZZ | 5310-088-0553 | NUT, SELF-LOCKING: BOX SUPPORT CLAMP MS21044N5 (96906) | A | EA | 2 | * * * * | 84 | 19 |
| PAOZZ | 6140-737-3211 | CLAMP: BOX SUPPORT TO BOX 7373211 (19207) | A | EA | 2 | * * * * | 84 | 20 |
| PAOZZ | 5310-264-4085 | WASHER, SPRING TENSION: BOX SUPPORT CLAMP MOUNTING 7372766 (19207) | A | EA | 2 | * * * * | 84 | 21 |
| PAOZZ | 5306-225-9088 | CREW, CAP, HEXAGON HEAD: 5/16-24UNF-2A X 7/8 IN., BOX SUPPORT CLAMP MS90726-33 (96906) | A | EA | 2 | * * * * | 84 | 22 |
| PAOZZ | 5310-627-6128 | WASHER, LOCK: BOX THUMB SCREW MS35335-35 (96906) | A | EA | 2 | * * * * | 84 | 23 |
| PAOZZ | 5305-335-4665 | THUMBSCREW: BATTERY BOX 7373236 (19207) | A | EA | 2 | * * * * | 84 | 24 |
| PAOZZ | 5306-739-7754 | BOLT, ASSEMBLY, HOOK: (INCLUDING NUT) BATTERY RETAINER 7397754 (19207) | A | EA | 5 | * * * * | 84 | 25 |
| 0613-HULL OR CHASSIS WIRING HARNESS | | | | | | | | |
| PAOZZ | | RECEPTACLE ASSEMBLY: BATTERY SLAVE 7731421 (19207) | A | EA | 1 | * * * * | 85 | 1 |



Current part is item (25) on diagram. Available at www.oshkoshequip.com

TA 009251

Figure 84. Batteries and related parts.

Current part is item (25) on diagram. Available at www.oshkoshequip.com